

Colt light rifle manual



File Name: Colt light rifle manual.pdf

Size: 3252 KB

Type: PDF, ePub, eBook

Category: Book

Uploaded: 14 May 2019, 14:25 PM

Rating: 4.6/5 from 642 votes.

Download Now!

Please check the box below to proceed.

I'm not a robot



reCAPTCHA
Privacy - Terms



I may just have to keep shooting my kimber montanas. I think if I wanted a lighter rifle in a short or non mag long action the Barrett FC is a better deal. Unless its just a screaming deal. CLR actions were machined by Colt. NULA actions are machined by hand and hand fitted in Melvin's shop. I'd picked up the CLR for a song though. If it were me after experiencing what happened with Forbes and hearing what happened to CLR, I would rather invest my money in a Barrett. Barrett has been around a while, and looks as if they have perfected what Forbes and CLR could not. Im not sure what their asking, but i would spend twice as much on a sure thing Barrett before Id roll the dice on a CLR. Also, theres the warm fuzzy if something were to go wrong you have Barrett to send the rifle back too. I really like it now. He did a new stock, new barrel, new trigger and whatever else he does. It is a keeper. It shoots 120 gr, 140 gr and 160 gr hand loads quite well. donsm70 I would win far more than I lost. Ive been tempted to try a short action Barrett but Im afraid It might not shoot as well as my Forbes,even though I suspect it would be excellent. Thanks for the input so far. If it shot great and I liked the weight I wouldnt hesitate. A Barrett might be just as good though or better and even lighter, if it was just OK accuracy wise. I have had plenty of rifles that if I could have shot it first I probably would have changed my mind. Sometimes they arent as good as the hype would lead you to believe. If all goes right, yall strike up a confidence and next thing you know youre at his house, in his cistern being fattened up so he can make a ladysuit out of you. SlumlordIf you want an 06AI buy it. If you just want a rifle of this type, buy a Barrett in the caliber you really want or rebarrel a Montana. All three choices would get you what youre looking for.<http://www.harom.ro/files/essential-calculus-complete-solutions-manual.xml>



If all goes right, yall strike up a confidence and next thing you know youre at his house, in his cistern being fattened up so he can make a ladysuit out of you. SlumlordWhat would be a good estimate on the cost If you want an 06AI buy it. If you just want a rifle of this type, buy a Barrett in the caliber you really want or rebarrel a Montana. All three choices would get you what youre looking for. This makes real good sense. By the time you pay Melvin to get it right, you will have more in a used rifle than just buying a new Barrett. Mag never disappoints. The CLR limits you to a 270, 06, 7mm RM, or

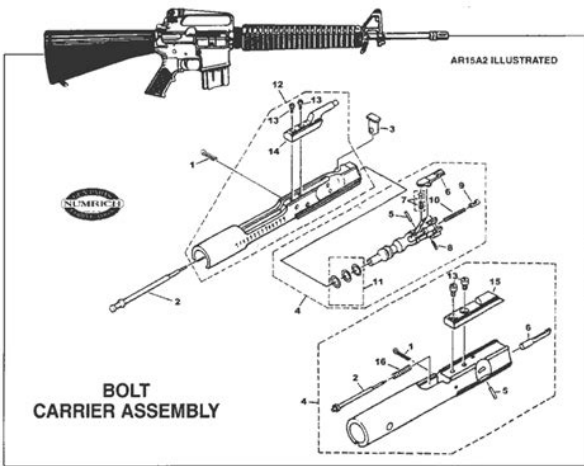
300 WinM unless you want to rebarrel. With the Forbes, you get Melvins stock already and the chance at a short action if that is what you desire no magnums though! The Barrett sounds nice and people sound like they are happy with them. SS which is a big deal for a lot of people. I am not particularly interested in the shorter barrels, but again that is me. I do like the feel of their stocks. They have a slightly different feel to them than the Kimber for sure. I cant speak for the Barrett but would guess that it is similar to the NULA family as well. And yup! This is the gun. A literal lifetime before this unassuming Mississippi farmer carried a Browning Automatic Rifle as a member of the 5th Ranger Battalion in World War 2. On June 6th, 1944, he landed in the first wave on Omaha Beach fighting alongside the 116th Infantry Regiment. Long after Dodge City was behind him Bat kept the legend alive, not as a gunfighter or lawman but as a journalist; proof perhaps, that the pen is indeed mightier than the sword, or the gun! Please try a new zip code and search again. Please wait a few moments. Please try a new zip code and search again. Dont miss out on this Great price on a ver. read more. When guys send them back to Mr. Forbes what do you have done and what does it cost roughly. Looked at one today in 270 Win.

, Im not a 270 guy but if a rebarrel is in the fix Its an easy change. Think I could buy it right, but what are they worth. Thanks, Guy Or so it seems to me. Jeff Its over on HuntWA in the Weapons classifieds. With the price hike coming for the Forbes I think youll have close to the same into either one. Ive had a CLR and am looking forward to my Forbes in SS, another reason to go Forbes. Edited to add that with a rebarrel install youll have more into the Colt. Guy IMO with all of those mods youd be in it way too much. I have had two CLR's, and still have one in 7RM as well as a Forbes. My CLR is a great shooter and the trigger is good enough to not need to be replaced. The stock, while nowhere near as nice as the Forbes, is serviceable. They are both identical in size and shape, but the construction is completely different. As a reference, the CLR stock is still more rigid than the tupperware on my 700 ADL. The quality on the Forbes IMO is better than the CLR, especially the stock. I do like the CLR finish though, as its smoother and nicer than that of the Forbes. I picked up my CLR's years ago on closeout, and in my mind its a great rifle for the money as is. I might get a Forbes stock for it sometime, but Im in no rush. That might be worth it, IMO. If you get one, I would shoot it before I made any mods. From my experience, theyre pretty good shooters. Good luck! Reason being, the Forbes are available in those calibers. One of those in 7 Rem Mag could cover a lot of hunts. If I hadnt scored a very good deal on a Kimber MT, I might still be thinking this way. For an 3006 based cartridge, Id probably go with a Forbes. Mr. Forbes told me that he insisted that Colts subcontractor, Saco Defense Systems, produce the barreled actions as close to ULA specs as was possible in a production environment.



AR15

ALSO AR15 SPORTER, AR15 A1, AR15 A2, CAR15 AND M16



KEY #	MFR #	ITEM #	DESCRIPTION	PRICE	KEY #	MFR #	ITEM #	DESCRIPTION	PRICE
1	SPR225	294200	Firing Pin Retaining Pin	8.45	7	SPR2169	294170	Extractor Spring Assembly (For Models M16/M16A1, M16E1, M16E2, M16E3, AR15, AR15A1, AR15A2, AR15A3, AR15A4, AR15A5, AR15A6, AR15A7, AR15A8, AR15A9, AR15A10, AR15A11, AR15A12, AR15A13, AR15A14, AR15A15, AR15A16, AR15A17, AR15A18, AR15A19, AR15A20, AR15A21, AR15A22, AR15A23, AR15A24, AR15A25, AR15A26, AR15A27, AR15A28, AR15A29, AR15A30, AR15A31, AR15A32, AR15A33, AR15A34, AR15A35, AR15A36, AR15A37, AR15A38, AR15A39, AR15A40, AR15A41, AR15A42, AR15A43, AR15A44, AR15A45, AR15A46, AR15A47, AR15A48, AR15A49, AR15A50, AR15A51, AR15A52, AR15A53, AR15A54, AR15A55, AR15A56, AR15A57, AR15A58, AR15A59, AR15A60, AR15A61, AR15A62, AR15A63, AR15A64, AR15A65, AR15A66, AR15A67, AR15A68, AR15A69, AR15A70, AR15A71, AR15A72, AR15A73, AR15A74, AR15A75, AR15A76, AR15A77, AR15A78, AR15A79, AR15A80, AR15A81, AR15A82, AR15A83, AR15A84, AR15A85, AR15A86, AR15A87, AR15A88, AR15A89, AR15A90, AR15A91, AR15A92, AR15A93, AR15A94, AR15A95, AR15A96, AR15A97, AR15A98, AR15A99, AR15A100)	8.05
2	SPR245	294200	Firing Pin (M16)	26.75	8	SPR1622	294210	Pin (Extractor)	3.10
3	SPR1734	294200	Carb Pin (223 Cal. 7.62 x 39)	8.05	9	SPR1624	294210	Pin (Extractor)	3.10
4	SPR2116	294200	Bolt Assembly, 223 Cal.	82.30	10	SPR1599	197640	Spring (Extractor)	1.82
5	SPR2044	294210	Bolt Assembly, 7.62 x 39	185.25	11	SPR1640	294290	Bolt (Key)	3.06
6	SPR2040	294200	Bolt Assembly, 3006 NV	257.82*	12	SPR2162	294270	Key & Bolt Carrier Assembly, 223 Cal. 7.62 x 39	206.50
7	SPR1563	294200	Extractor Pin (223 Cal. 7.62 x 39)	1.20	13	SPR2251	294160	Stove (Socket Head Cap)	1.20
8	SPR2117	294210	Extractor Pin (M16)	3.12	14	SPR1547	294200	Bolt Carrier Assy (223 Cal. 7.62 x 39)	16.10
9	SPR1562	294200	Extractor, 223 Cal.	16.60	15	SPR2069	294200	Bolt Key (M16)	52.50
10	SPR2070	294200	Extractor, 7.62 x 39	26.85	16	SPR2096	294200	Firing Pin Spring (M16)	3.10
11	SPR2038	294200	Extractor, M16	38.15					

N = NOT ILLUSTRATED * = PART IS IN LIMITED QUANTITY. PLACE THE ITEM OR ITEMS ON ORDER, AND WE WILL SHIP THEM IF AVAILABLE.

<https://events.citeve.pt/chat-conversation/bose-wave-radio-cd-instruction-manual>

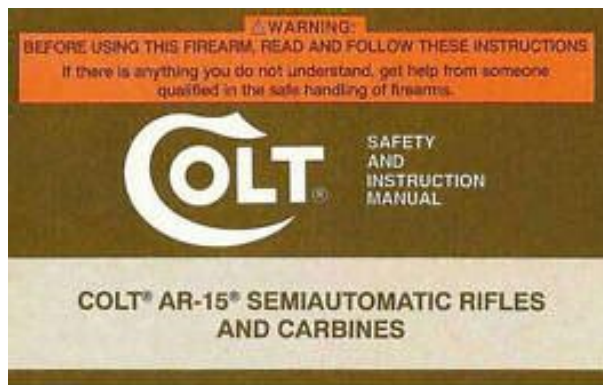
He told me that the stocks and triggers were a compromise, which he accepted, understanding that Colt was aiming at a price point that wouldnt allow for the cost of a hand laid fiberglass stock, but there wasnt any compromise in the materials, production, and QC on the metal work. Otherwise, the CLRs stock and trigger arent bad. It shot well for a light weight rifle but was a little picky about the ammo. I decided to keep it since it showed some promise. I sent it to Melvin for a new stock I use a 14.5 inch LOP, replace the firing pin spring a problem in some of the 3006s, replace the trigger, jewel the bolt, remove or replace the rings and screws and install a stainless steel follower. I had it back in 7 weeks and it looks and feels great. Its 6lbs even with a 24 inch barrel and the new stock no rings. They buffed out some minor scratches and touched it up some. Im not unhappy at all. Ill see how it shots and go from there. To me it is worth what I have. If you want a refurbish job by Mr. Forbes and adding a rebarrel into the mix you have some thinking to do, especially if you can use the Forbes LOP. Whats it worth is up to you. Many ways to skin the cat. Scott All I did was get a new firing pin spring from Melvin. For the money, it was a great buy. Shoots great though. Ive thought about upgrading it with stock and trigger from Melvin, but I think the better buy is to keep this one how it is and buy a Forbes rifle to go with it. Light Rifle Serial Number. LR009884 Caliber Info Light Rifle Serial Number. LR009884 Caliber Info Light Rifle Serial Number. LR009884 Caliber Info Light Rifle Serial Number. LR009884 Caliber Info Guns International makes no representation or warranty as to the accuracy of the information contained in the gun classifieds, gun parts or gun services classifieds listings. Buyers and sellers are required to know and comply with all applicable local, state, federal and international firearm laws. Colt Model. Light Rifle Serial Number.

<https://www.imperialaccountingfl.com/images/canon-st-e2-pdf-manual.pdf>



LR009884 Caliber Info. Lyons Press. p. 128. ISBN 9781592286386. Wilkerson Press Press. p. 128. ISBN 9780961787646. Gun Digest Books. p. 288. ISBN 9780896895348. By using this site, you agree to the Terms of Use and Privacy Policy. Vanessa Hernandez Legendary small arms manufacturer Colt has officially bowed away from producing long guns for the civilian market. The Truth About Guns reported that the move came to light after one of Colt's numerous retailers, RSR Group, announced to their customers that the company had made it known that they would cease building and selling rifles to the civilian market in order to pay more attention to regaining lost ground on vital military contracts. Colt's current lineup of rifles is all based entirely on the AR platform. Colt made waves in the long gun market in the 1960s after buying the design and trademarks associated with ArmaLite's selectfire AR15 and AR10 rifles, the former of which was adopted by the US military as the M16 assault rifle. By the mid 1960s, Colt began selling a semiautomatic version, dubbed the Colt AR15, to the civilian market, and the rifle began steadily ascending in popularity among a variety of consumers, from recreational shooters, hunters, and law enforcement. Soldiers using the M4A1 SOPMOD Block II during a raid in Afghanistan circa 2012 US Army photo by Spc Justin Young The semiautomatic AR15 platform has become a mainstay of the long gun market, though Colt no longer holds the nearmonopoly it once did. After the company's various patents on the AR15 expired in 1977, other firearms manufacturers seized the opportunity to begin producing their own takes on the highly popular AR, dealing a weighty blow to Colt.

<https://incentives-sales.com/images/canon-starwriter-25-manual.pdf>



Though the US military bought and still uses today a massive number of Coltmade rifles, the company suffered large setbacks in the federal procurement arena, losing its primary contract with the US military to produce the M16A4 rifle and M4 carbine to competitors including Fabrique Nationale Herstal and Remington, while incurring major losses. For more newsletters click [here](#). Shoot better. Be safer. Look cooler. Reload. Get your fill of tactical coolness in this newsletter packed with guns, gear, bullets and moto content Thanks for signing up. By giving us your email, you are opting in to the Gear Scout Weekly newsletter. In mid2015, the company filed for bankruptcy and reemerged the following year after an internal overhaul and reorganization. Colts King Cobra revolver Photo Colt Colt moving away from selling ARs to civilians isn't a sign that the company wants to stop selling guns to civilians altogether, however. Instead, the company will ramp up sales of pistols and revolvers, including its 1911 models, Cobra, King Cobra, and Single Action Army collectible series. In a statement to NRA's Shooting Illustrated, Colt's senior vice president for commercial business, Paul Spitale, said that the civilian AR production cut was based on consumer feedback and a close analysis of the market's ebbs and flows. According to Spitale, rifles aren't heavily favored by the civilian market, resulting in lower profit margins for Colt while the company continues to go full steam on producing rifles to fulfill outstanding military and law enforcement contracts. The move away from the civilian market isn't permanent, Spitale says, noting that the company would be willing to make a return to building and selling rifles to retail customers should the demand return and profit projections increase. About Ian D'Costa Ian D'Costa is a correspondent with Gear Scout whose work has been featured with We Are The Mighty, The Aviationist, and Business Insider.

An avid outdoorsman, Ian is also a guns and gear enthusiast. DS Arms has a dizzying array of FAL models for various environment, including a US civilian versions of FAL builds that were part of overseas contracts. As part of their foreign internal defense missions, soldiers and Marines use these SA58 clones of the FAL to help familiarize themselves with the rifles manual of arms so they can better integrate with military units in other countries. Traditional Cocking Handle. Belgian Style Combo Device Flash Hider. U.S. Made Glass Filled Nylon Pistol Grip. U.S. Made Glass Filled Nylon Reinforced Full Length Handguards. U.S. Made Glass Filled Nylon Humpback Buttstock. Light Weight Alloy Lower Trigger Frame. 20 Round Metric Magazine. More From Tacticool Top Headlines This company is working on an allAmerican version of Russia's VSS spec ops rifle Ian D'Costa March 16 North Korea's homemade handgun — the Type 70 Jon Guttman March 10 Barrett's MRAD will be the Army and Marine Corps' new standard sniper rifle Ian D'Costa March 10 Russia's legendary

Dragunov SVD just got another update Ian DCosta March 9 More From COVID19 exacerbates job woes for veterans, military spouses The unemployment rate for veterans was 2.9% when 2019 came to a close. Now, as the COVID19 pandemic upends the U.S. economy, that figure has more than tripled, leaving nearly 800,000 veterans searching for work. Damon Cline, The Augusta Ga. Chronicle via the AP 8 hours ago Massachusetts National Guard plans machine gun range on Cape Cod base Plan are underway to build a machine gun range at a Cape Cod base used for training by the Massachusetts Army National Guard. The Associated Press 9 hours ago 200 soldiers mobilized to help fight wildfires in Western US Officials with the National Interagency Fire Center say about 200 active duty U.S. Army soldiers are being mobilized to help fight wildfires across the western United States.

<http://deewo.de/wp-content/plugins/formcraft/file-upload/server/content/files/1628078f93733a--Bsa-spitfire-air-rifle-manual.pdf>

The Associated Press 9 hours ago Langley airman convicted of sex assault at courtmartial An airman at Langley Air Force Base has been found guilty in military court of sexually assaulting a colleague. The Associated Press 10 hours ago Newsletters Got a Tip. Something went wrong. Learn more opens in a new window or tab Read item description or contact seller for postage options. This amount is subject to change until you make payment. For additional information, see the Global Shipping Program terms and conditions opens in a new window or tab This amount is subject to change until you make payment. If you reside in an EU member state besides UK, import VAT on this purchase is not recoverable. For additional information, see the Global Shipping Program terms and conditions opens in a new window or tab Learn more opens in a new window or tab Learn more opens in a new window or tab Learn more opens in a new window or tab Learn more opens in a new window or tab See the sellers listing for full details. Contact the seller opens in a new window or tab and request a postage method to your location. Please enter a valid postcode. Please enter a number less than or equal to 818. If you don't follow our item condition policy for returns, you may not receive a full refund. Refunds by law In Australia, consumers have a legal right to obtain a refund from a business if the goods purchased are faulty, not fit for purpose or don't match the seller's description. More information at returns. First, whoever scanned this information did not do a good job on many of the schematics and photos which I consider most important. Second, the information provided is not what the average user wants. There is better information out there for free on the internet. Not worth the money. Price well worth the effort you would expend tracking down just one old manual. Wellcopied and easy to view. Very entertaining just to browse through the manuals.

<BARTONSTEEL.COM/tony/barton/ckfinder/userfiles/files/canon-9000-pro-manual.pdf>

Wellcopied and easy to view. Very entertaining just to browse through the manuals. All Rights Reserved. User Agreement, Privacy, Cookies and AdChoice Norton Secured powered by Verisign. Something went wrong. View cart for details. All Rights Reserved. User Agreement, Privacy, Cookies and AdChoice Norton Secured powered by Verisign. Stapled Paperback. Condition Very Good. No Jacket. Second Edition. very nice clean flat copy. The catalog has Colts complete line of handguns and rifles for 1986. Complete descriptions of each gun with specifications. Included is a section on the engraved models from The Colt Custom Shop. A very fine As New copy. Language eng Language eng Language eng Language eng Language eng Language eng Language eng Language eng Language eng Language eng. An original catalog showing retail prices for various Colt hand guns. Interior clean no marks, wraps show slight shelf rubbing, corners slightly rounded. The official history of Colt firearms from 1836 to the present... Photography by Sid Latham. Dust Jacket Condition No Jacket as Issued. American First. Some edge wear to back cover; otherwise a solid, clean copy with no marking or underlining; collectible condition; illustrated with black and white photographs and an exploded diagram. Colt Blackpowder Arms. 2000. Customers purchasing more

than one item from us may be entitled to a shipping discount.Provisional. Colt Firearms Employee Newsletter. 20 issues dated from September 1975 to May 1982. 18 issues are 4 pages each, and 2 issues are 6 pages each. A number of issues have product or other gun related articles. There is lots of information about developments within the company. All issues have been folded in thirds for mailing. A number of issues have the date received penned in. Overall these newsletters are in Very Good plus condition. Language eng Language eng Language eng Language eng Language eng.Our BookSleuth is specially designed for you. All Rights Reserved.

<http://www.jfvtransports.com/home/content/bose-wave-radio-cd-instruction-manual>